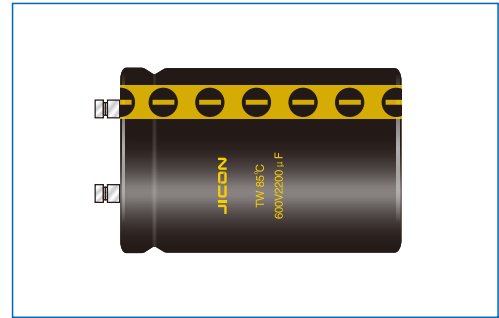


TW 系列 SERIES

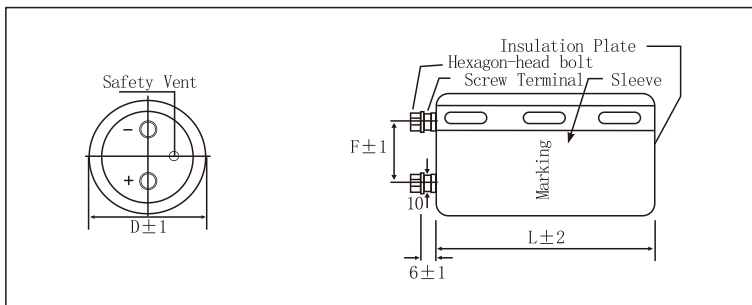
- 2000h at 85°C
- 600V to 630V Standard at 85°C
- High Professional Inverters and Power Supplies



◆ SPECIFICATION

Items	Characteristics						
Operating Temperature Range (°C)	-25~+85°C						
Voltage range (V)	600, 630V						
Capacitance Range (µF)	1000~5600						
Capacitance Tolerance	±20% (at 20°C, 120Hz)						
leakage current (µA)	After 5 minutes at 20°C application of rated voltage, leakage current is not more than 0.01CV or 5mA, whichever is smaller, C:Nominal Capacitance (µF) V :Rated Voltage (V)						
Dissipation Factor (Tan δ)	<table border="1"> <tr> <td>U_R (V)</td> <td>600</td> <td>630</td> </tr> <tr> <td>tg δ</td> <td>0.25</td> <td>0.3</td> </tr> </table>	U _R (V)	600	630	tg δ	0.25	0.3
U _R (V)	600	630					
tg δ	0.25	0.3					
Load Life	The following specifications shall be satisfied when the capacitors are restored to 20°C after subjected to DC voltage with the rated rippled current is applied for 2000 hours at 85°C <table border="1"> <tr> <td>Capacitance change</td> <td>Within ±20%initial value</td> </tr> <tr> <td>D. F. (Tan δ)</td> <td>Not more than 200% of specified value</td> </tr> <tr> <td>leakage current</td> <td>Not more than specified value</td> </tr> </table>	Capacitance change	Within ±20%initial value	D. F. (Tan δ)	Not more than 200% of specified value	leakage current	Not more than specified value
Capacitance change	Within ±20%initial value						
D. F. (Tan δ)	Not more than 200% of specified value						
leakage current	Not more than specified value						
Shelf Life	The following specifications shall be satisfied when the capacitors are restored to 20°C after exposing them for 1000 hours at 85°C without voltage applied. Before the measurement, the capacitor shall be preconditioned by applying voltage according to Item 4.1 of JIS C 5101-4. <table border="1"> <tr> <td>Capacitance change</td> <td>Within ±20%initial value</td> </tr> <tr> <td>D. F. (Tan δ)</td> <td>Not more than 200% of specified value</td> </tr> <tr> <td>leakage current</td> <td>Not more than 200% of specified value</td> </tr> </table>	Capacitance change	Within ±20%initial value	D. F. (Tan δ)	Not more than 200% of specified value	leakage current	Not more than 200% of specified value
Capacitance change	Within ±20%initial value						
D. F. (Tan δ)	Not more than 200% of specified value						
leakage current	Not more than 200% of specified value						

◆ DIMENSIONS(mm)



D	35	50.8	63.5	76	89	100
F	13	22	28	32	32	42

◆ Frequency Coefficient

Frequency (Hz)	50/60	120	300	1K	≥10K
Coefficient	0.80	1.00	1.10	1.30	1.40

◆ Temperature Coefficient

Temperature (°C)	+40	+60	+85
Coefficient	1.89	1.67	1.00



◆ STANDARD RATINGS

UR (Surge Voltage) Code	Rated Capacitance	Max ESR 20°C 120Hz	Rated Ripple Current 85°C 120Hz	Size ΦD×L	
(V)	(μF)	(mΩ)	(A rms)	(mm)	
600 (650) 2S	1200	242	7.7	63.5×96	
	1500	224	9.3	63.5×115	
	1800	194	10.1	76×96	
	2200	162	12.0	76×115	
	2700	132	14.0	76×130	
	3300		88	16.4	76×155
			88	16.4	89×131
	3900	74	17.8	89×131	
	4700	62	21.0	89×157	
	5600	56	24.5	89×196	
630 (680) J2	1000	300	6.0	63.5×130	
	1200	266	6.7	76×115	
	1500	212	8.1	76×130	
	1800	176	9.8	76×155	
	2200	144	10.7	89×131	
	2700	128	12.8	89×157	
	3300	106	14.7	89×171	
	3900	94	17.9	89×196	
	4700	78	21.6	89×196	
	5600	70	24.9	100×220	

Customer products are available on request